

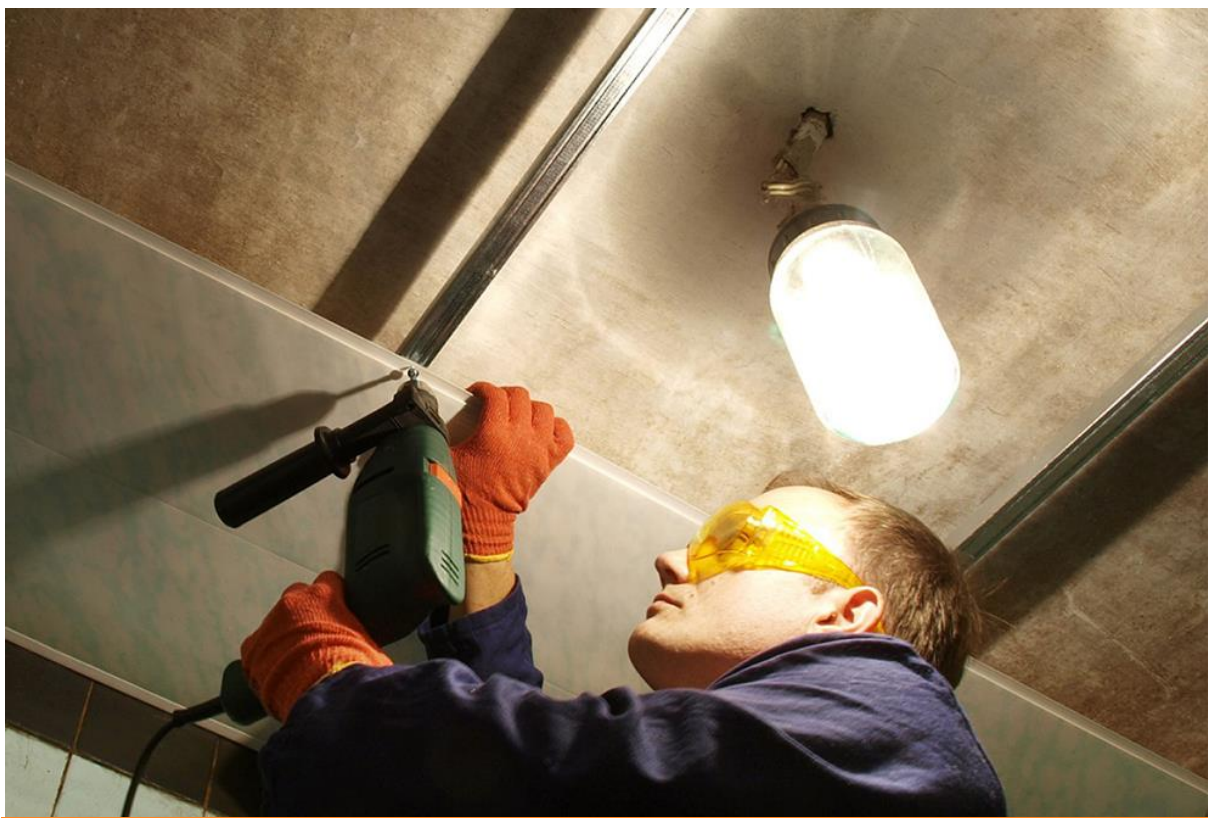
# DIY – FOR WALL PANELS

- In case you decide not to glue the panels to the walls, you start by placing wooden battens approx. every 30cm. To install the panels vertically, place the battens horizontally and vice versa.
- Continue by measuring the number of panels you will need for the wall and ceiling. If the last panel is too narrow, we advise to saw the first panel so that you have at least 4cm on either side.
- Start by fixing the start and edge trim (No.3) around the surface you want to decorate. Insert the first panel into the trim. Make sure the first panel is placed perfectly straight (using a spirit-level or a thread with weight) before stapling, nailing or screwing the lip onto the batten (every 30cm). Leave about 5mm clearance between the panel and the edge trim. A fine-tooth saw is recommended for cutting the panels to size.
- Insert the second panel completely into the groove before stapling (nailing or screwing) into the lip. Proceed the same way with the next panels. For the finish you can also use the internal corner profile (No.1), the external corner (No.2) and/or the centre joint (No.4).



# DIY – FOR CEILING PANELS

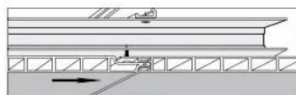
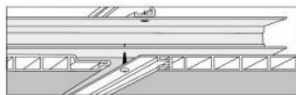
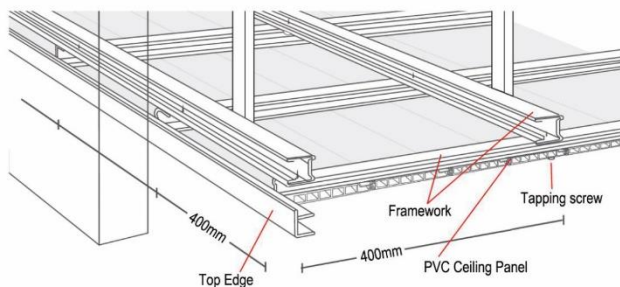
- Clean the surface of ceiling.
- Nail wooden or steel battens (20mm – 30mm thick) into the wall and ceiling, with all the corners firstly, then on the plane with the distance of 400mm away between every wooden batten.
- Screw PVC profiles(cornices) on all the corners, then insert the panel into the corner profiles, then the following panel into the first panel.
- Screw PVC second panel's notch side into the wooden or steel battens, then insert the third panel, then the fourth, and nail the fourth's notch side, then fifth and sixth, then...
- Attention for the distance and notch side panel: for the ways above is based on 250mm or 300mm wide panels, and wooden or steel battens between distance is 400mm, so every 2 panel, screw the second notch. Surely you could change the ways as per your situation presently, by way of changing the distance of the panels and the wooden or steel battens.



## INSTALLATION GUIDE

The ceiling panels can be fitted together with a tongue and groove system, and are fixed on a lip that is concealed when the next panel is fitted. Fitting can be to an existing surface if it is relatively flat and not likely to break away. Fixing can be done with self-tapping screws. PVC ceiling panels can be stuck to any surface including uneven surfaces, with little or no preparation required. There are a range of finishing accessories such as edge trims, internal and external corners, cornice trims and skirting boards that ease the task of fitting and ensure a perfect finish, whatever your room is shaped. PVC ceiling panels can be easily cut or trimmed using a sharp utility knife, hand saw, table saw, portable circular saw or jig saw.

PVC panels are normally fixed vertically i.e. from floor to ceiling, however panels may also be fitted horizontally if the shape of the room makes this an easier option. Similarly, ceiling panels can be run in either direction. Of course, you may have a preference as to which way you would like run the panels for visual effect. The PVC panels are easily fixed to almost every surface. Depending on the type of wall or ceiling you can choose different types of fitting. Clean and quick installation, which does not require special tooling and may be performed by non-experts.



- Build a light framework of galvanized steel or hard wood profiles
- Ensure that the framework must be leveled or horizontal in one area
- Make sure your brandering (wooden framework) is 400mm maximum apart
- After completing the framework, start to fix the PVC Corners(Top Edge) on the wall under the framework
- Fix ceiling panels onto wooden brandering or

galvanized steel with a self-tapping screw while inserting into the PVC Cornices

- It does not require sealants, as the panels fit by pressing tongue and groove, and the fixing screws are hidden
- Installation direction will be contrary to the direction of ceiling panels
- Ceiling panels must lay in the same direction as the main trusses
- Make sure the screw head fastens properly and flush with the groove of the Ceiling Panel
- Clip the second panel with the tongue onto the groove (side notch) of the first panel

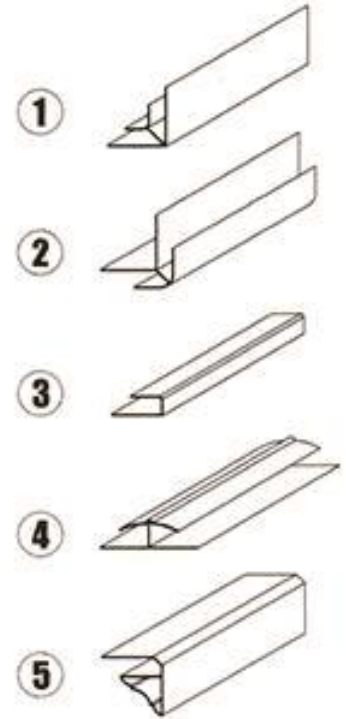
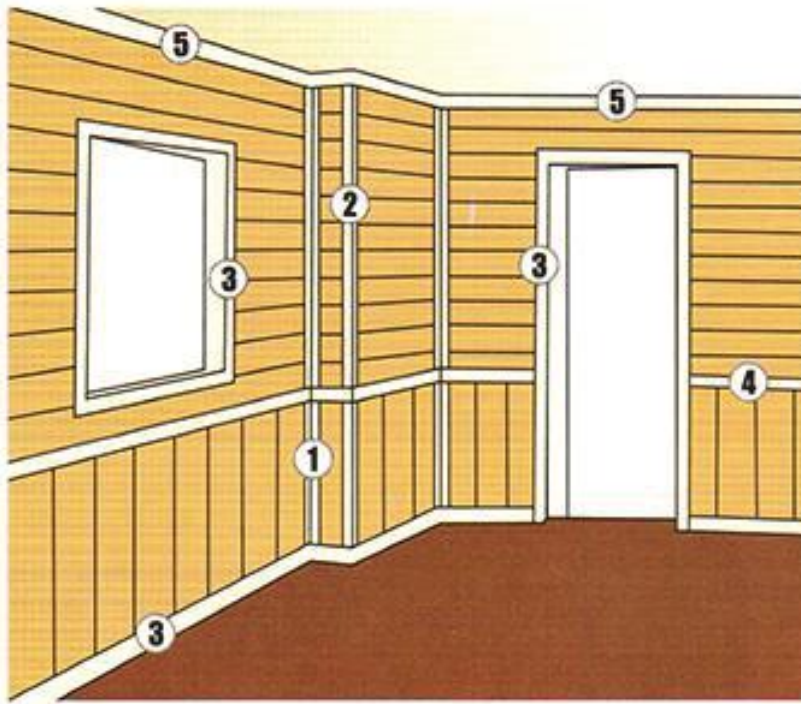
- Knock the panel using your hand palm at side to secure close fitment
- Do not carry on until the panel is fitted correctly
- Continue these steps until you hit the end of the ceiling
- When at the end of the ceiling, cut the panel in the length with a sharp utility knife to fit the last piece
- Dust ceiling with a cloth after fitment is done

## PVC-CEILINGS INSTALLATION:

Before installation, all the profiles need to be checked to make sure they have the same length or lengths corresponding to the wall panel's surface.

In cases of damp, damaged or uneven walls we recommend the use of treated timbers for framework.

**Necessary Materials for The Installation:** PVC Wall Panels, PVC Top Corners (e F2-L), PVC Connective Jointers (O H-L), PVC End Trims (C) 7-L), PVC Internal Jointers (O W-L), PVC External Jointers (O Y-L), Stalls for Wood, Plastic Dowels, Wooden Branderings, Nails and Screws.



# LAYOUT

- For wall panels or ceiling panels, the spots of the dowels are traced out on masonry in order to fix the wooden branderings or galvanized steel, having the dimension 15mm x 50mm. The distance between the dowels is of 120mm - 150 mm and between the wooden branderings of 350mm - 400mm (for the lower part of the walls or for the ceilings we recommend the distance between the wooden branderings to be max. 250mm — 300mm).
- The fixing of the wooden branderings in dowels is made with screws for wood having the dimension 3.5 — 4 x 50 - 60 mm.
- If the masonry allows it and if you want the panel to be glued on the wall, bury the strip boards inside the masonry.
- PVC End Trim is placed along the installation space (floor, ceiling) parallel to the wooden framework.
- Begin the installation from one of the edges, select the first wall-panel and trim off the tongue on the left-side of the panel and cut to length. Place the wall panel onto the framework into the PVC End Trim with the front of the panel towards you and the groove-side to the right. Fasten the panel on the groove-side by the end lip using screws to fix it entirely to the framework. Select the next panel, put the tongue in the groove until you have a good fit, and fasten the panel again on the groove side using the same method as before, and continue this way until you hit the edge or until the corner of wall.
- The interior and the exterior corners are executed with PVC Internal Jointers or External Jointers, as necessary. At corners, cut the last piece of panel near the wall of an interior cell, and apply the external or the internal corner on it.
- When completing the installation, introduce the End Trim at the end, this finishes the work. In case of a flat and even wall, a simple adhesive can be used without having to use a wooden framework. The PVC panels even can be glued straight onto existing ceramic tiles, without removing these tiles. Painted surfaces should be suitably prepared before applying any adhesive. **What you must remember:**
- Use the panel for indoor uses only. The ceiling panels shall not be exposed to direct sunlight.
- It is forbidden to kick with hard elements. It is forbidden to clean the surfaces with abrasive materials or with solvents.
- The electrical equipment needs to be properly fixed before installing the ceiling panels.
- The ceiling panels need to be checked prior to installation. Ensure that you are using the same batch of ceiling panels in one area.
- When using the ceiling panels in high backpressure from rooftop, please more properly fix panels and strongly fasten screws, or use silicon sealant in the groove on the back of the lip.
- Before fitting panels around sources of heat, for example radiators or fireplaces, make sure the temperature level doesn't exceed allowed level of 60°C.